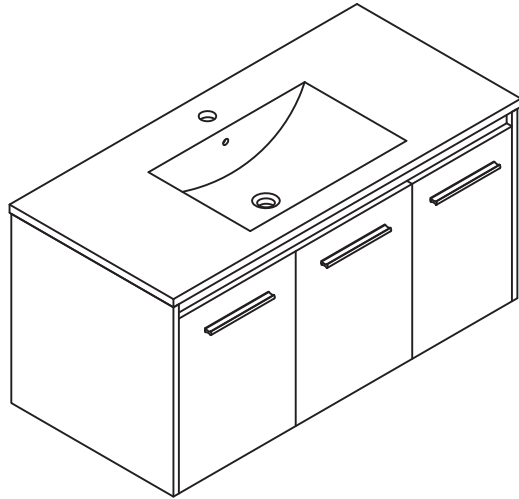




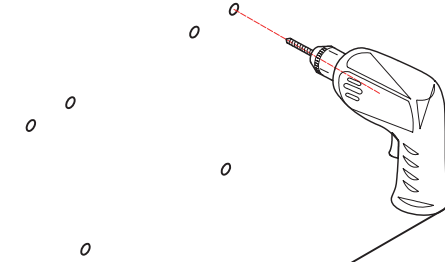
ASSEMBLY INSTRUCTIONS

VF44548MBL / VF44548MGN / VF44548MWT
 VF44548MTK / VF44548MMP / VF44548MWH
 VF44548MCG



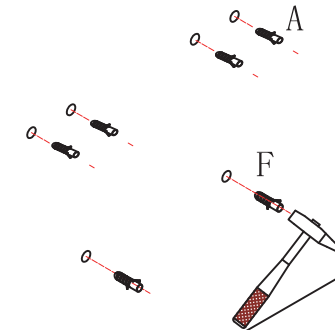
Step 1

Wall



Step 2

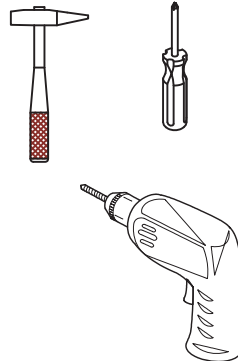
Wall



Hardware

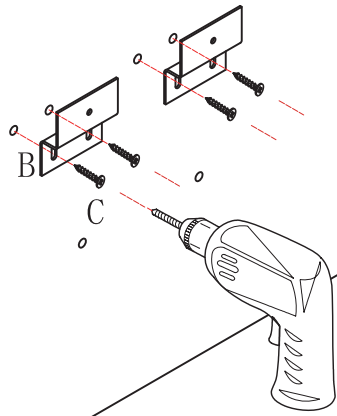
| NO. | Parts | QTY |
|-----|------------|-----|
| A | (M6*1.18") | 4 |
| B | | 2 |
| C | (T4*1.38") | 4 |

Tools

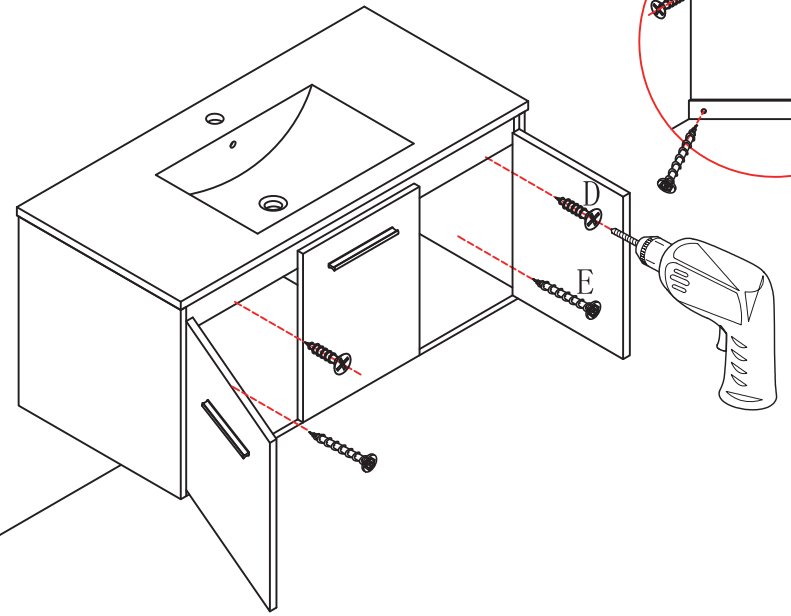


Step 3

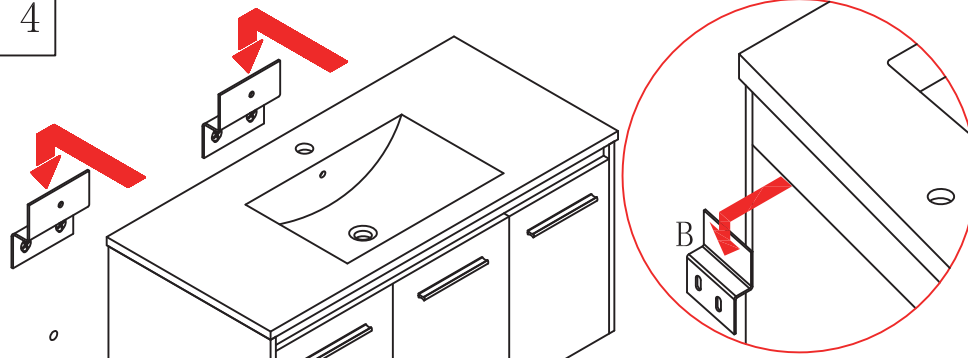
Wall



Step 5



Step 4



Finished

